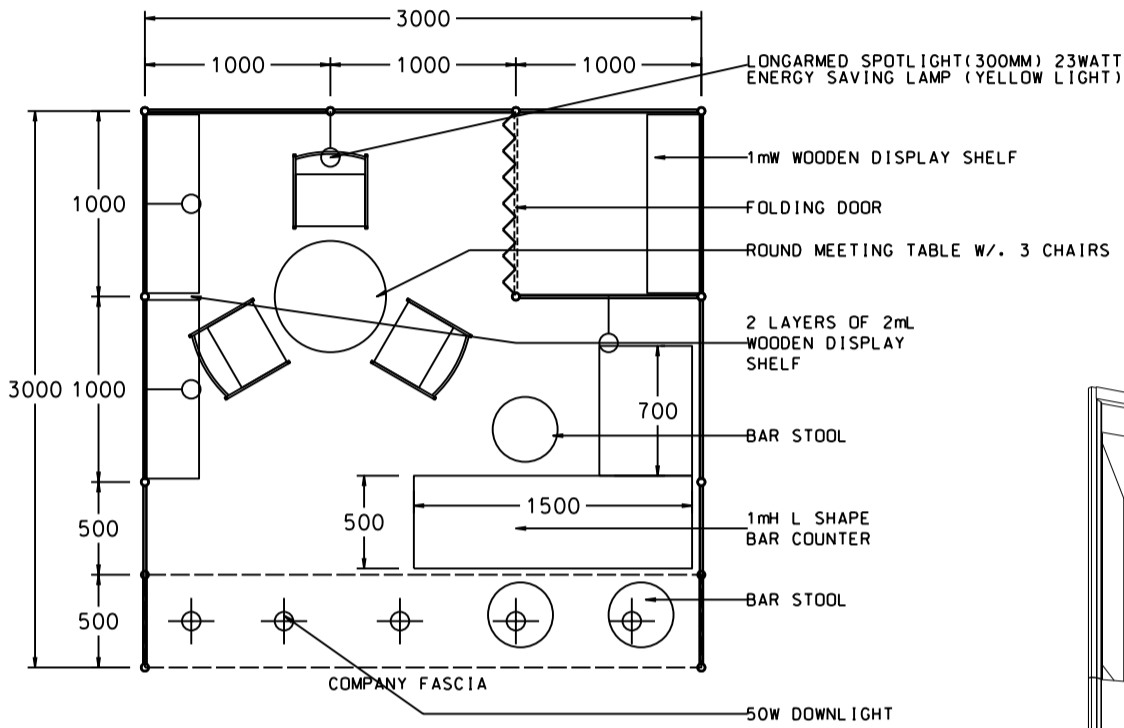
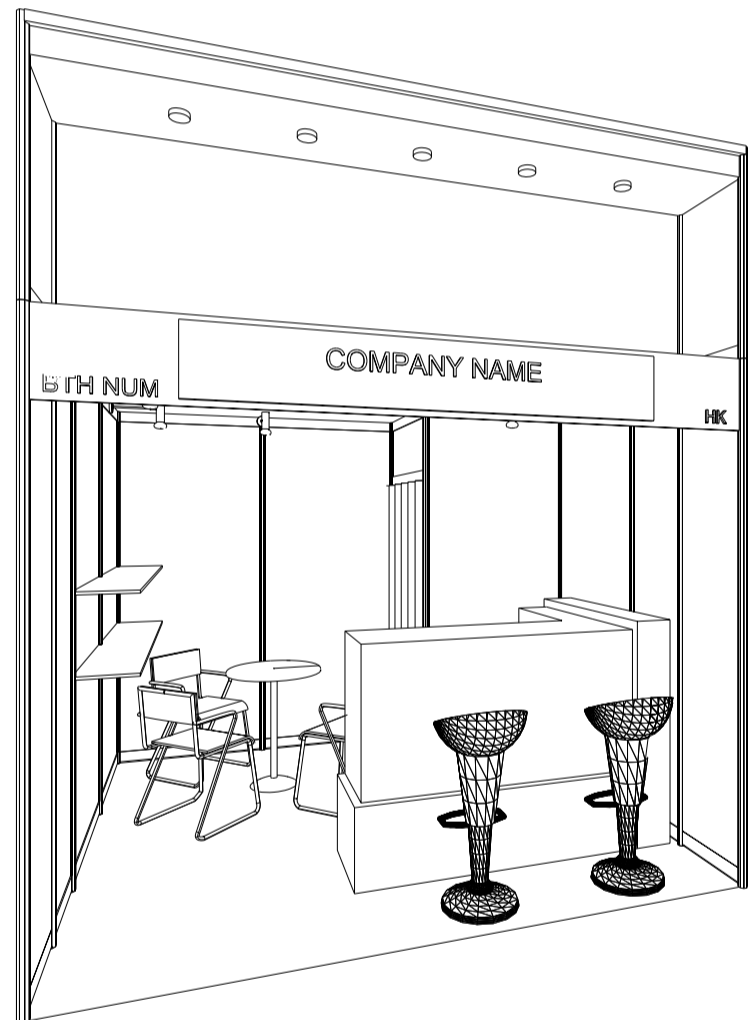


3M x 3M Standard Booth (OPTION B)

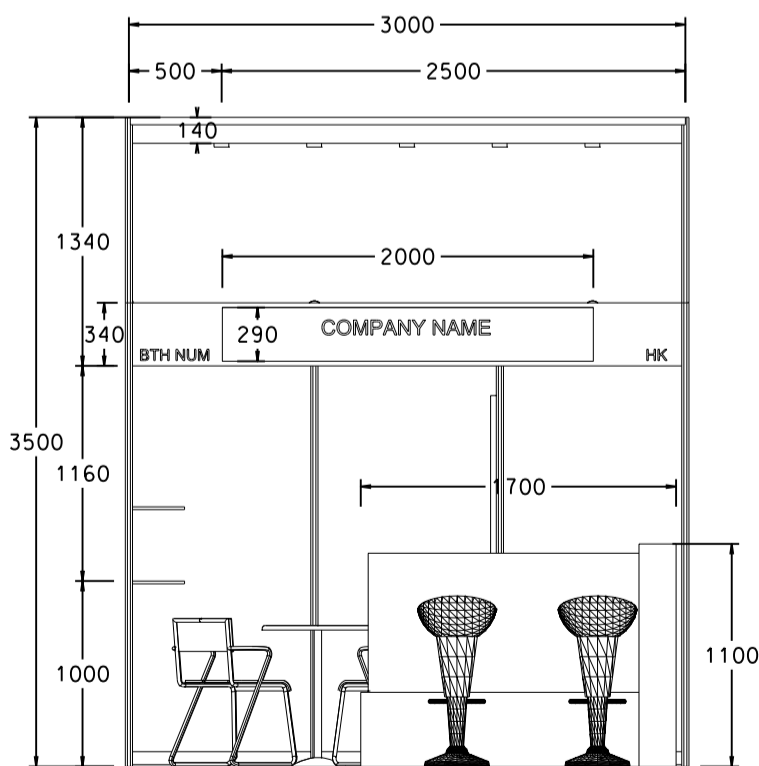
三米乘三米標準攤位



PLAN



PERSPECTIVE



ELEVATION

| BOOTH SPECIFICATIONS | | QTY. |
|----------------------|--|------|
| | L-SHAPE BAR COUNTER | 1 |
| | 1000W x 300D WOODEN DISPLAY SHELF | 6 |
| | LONGARMED SPOTLIGHT (300MM) 23WATT ENERGY SAVING LAMP (YELLOW LIGHT) | 4 |
| | ROUND MEETING TABLE | 1 |
| | BAR STOOL | 3 |
| | BLACK LEATHER CHAIR | 3 |
| | RUBBISH BIN & CARPET (9sqm.) | |
| | | |
| | | |