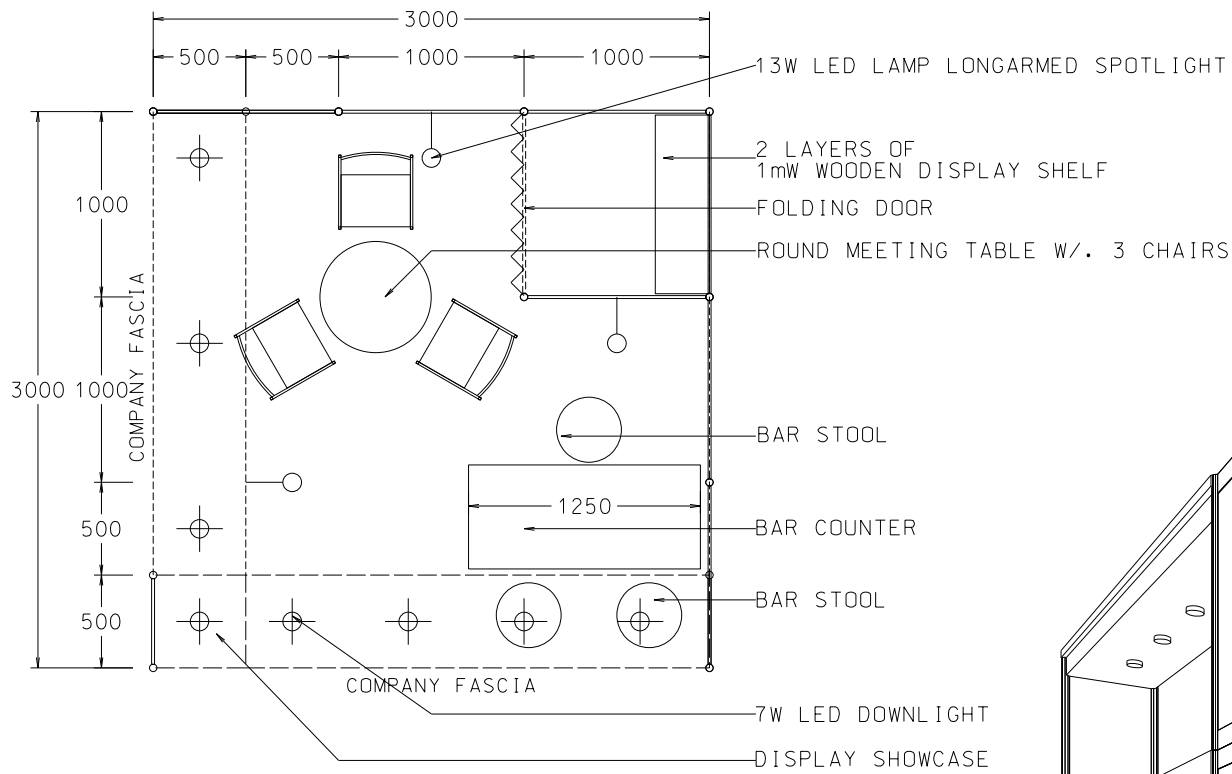


# Hong Kong International Wine and Spirits Fair

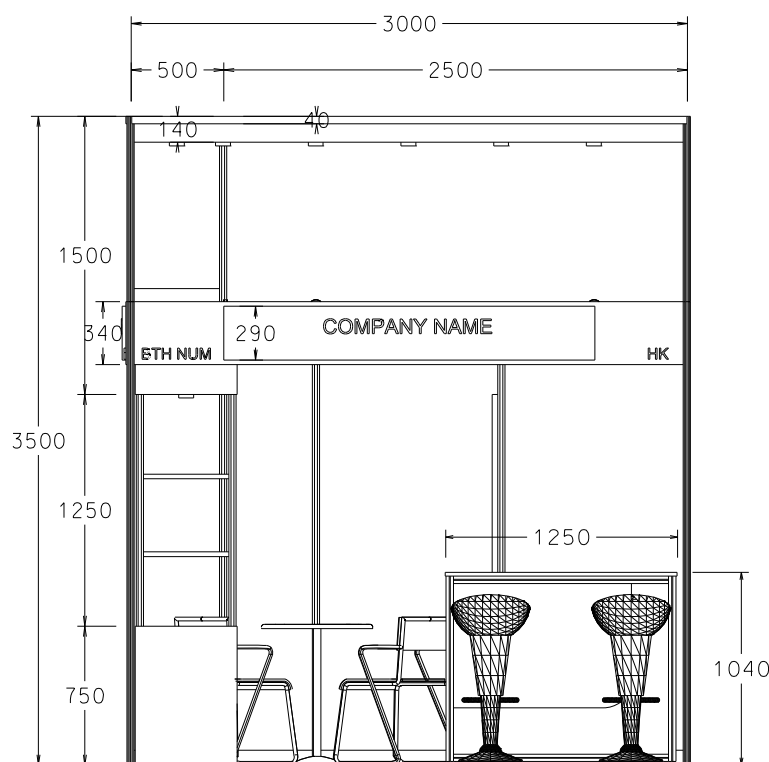
## 香港國際美酒展

### 3M x 3M Left Corner Booth (OPTION A)

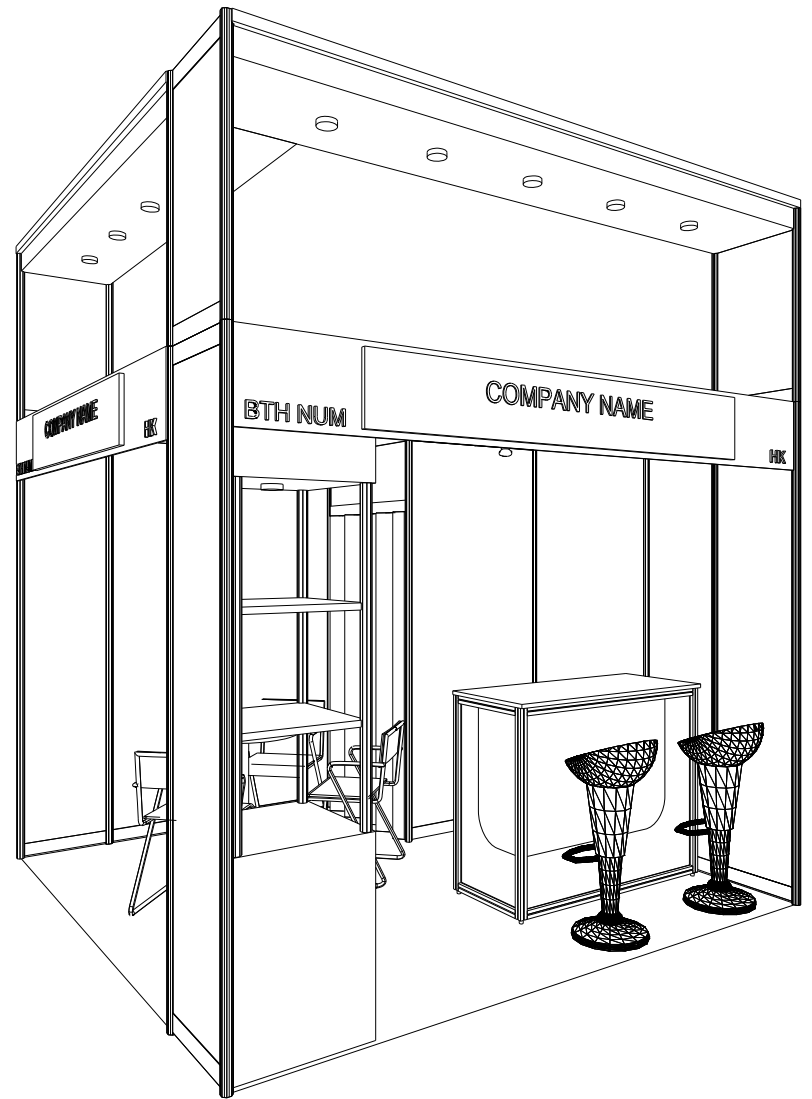
三米乘三米左邊角位攤位



PLAN



ELEVATION



PERSPECTIVE

BOOTH SPECIFICATIONS		QTY.
	DISPLAY SHOWCASE	1
	BAR COUNTER	1
	1000W x 300D WOODEN DISPLAY SHELF	2
	13W LED LAMP LONGARMED SPOTLIGHT (YELLOW LIGHT)	3
	ROUND MEETING TABLE	1
	BAR STOOL	3
	BLACK LEATHER CHAIR	3
	RUBBISH BIN & CARPET (9sqm.)	

\*The Hong Kong Trade Development Council reserves the right to change the configuration if necessary.

\*如有需要，香港貿易發展局有權更改攤位結構。