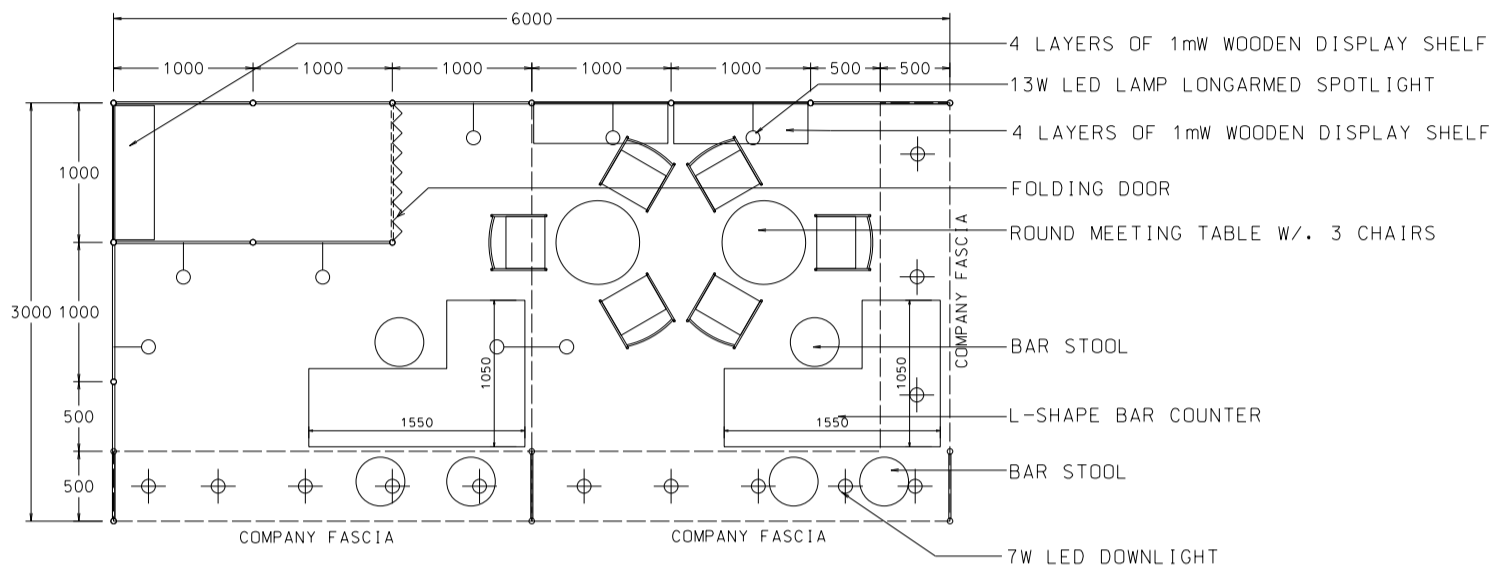


Hong Kong International Wine and Spirits Fair

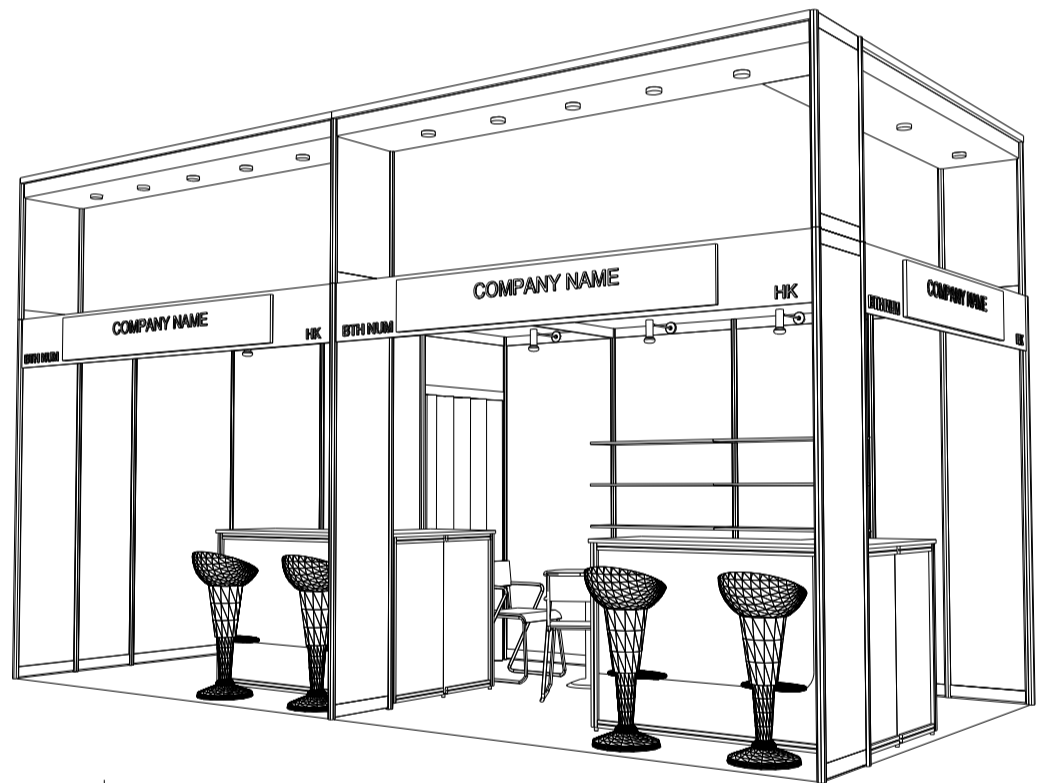
香港國際美酒展

6M x 3M Right Corner Booth (Option B)

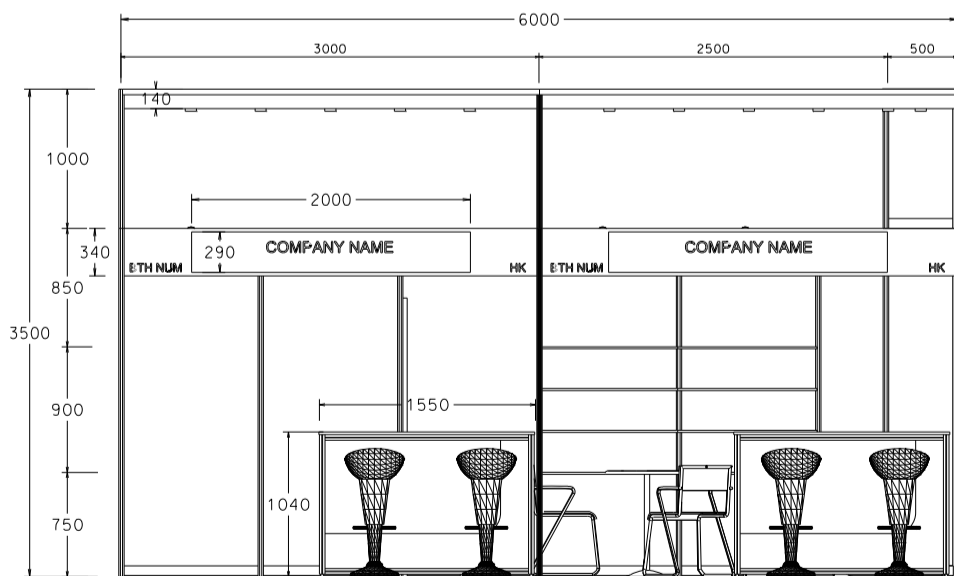
六米乘三米右邊角位攤位



PLAN



PERSPECTIVE



ELEVATION

BOOTH SPECIFICATIONS		QTY.
	L-SHAPE BAR COUNTER	2
	1000W x 300D WOODEN DISPLAY SHELF	12
	13W LED LAMP LONGARMED SPOTLIGHT (YELLOW LIGHT)	8
	ROUND MEETING TABLE	2
	BAR STOOL	6
	BLACK LEATHER CHAIR	6
	RUBBISH BIN & CARPET (18sqm.)	

*The Hong Kong Trade Development Council reserves the right to change the configuration if necessary.

*如有需要，香港貿易發展局有權更改攤位結構。