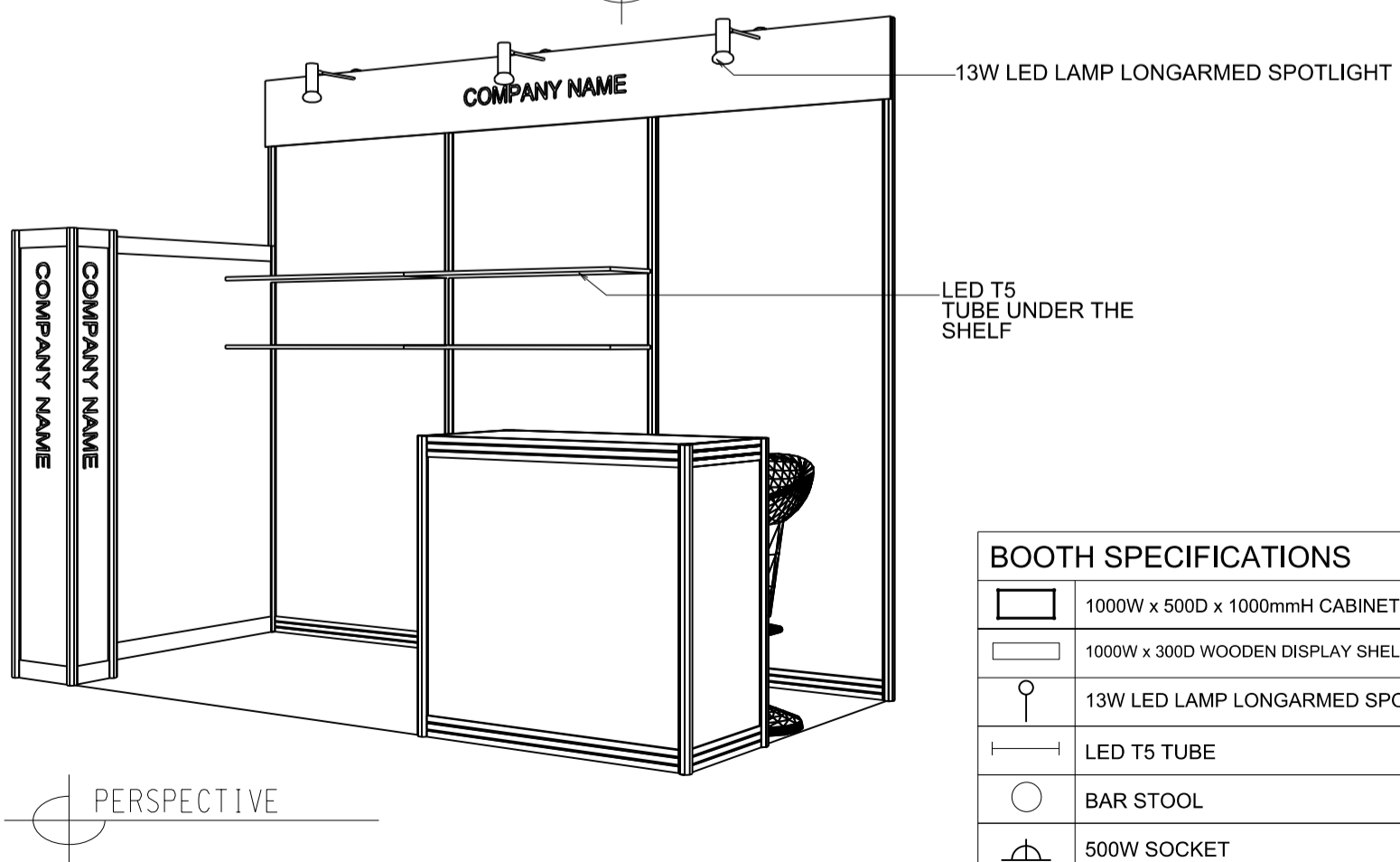
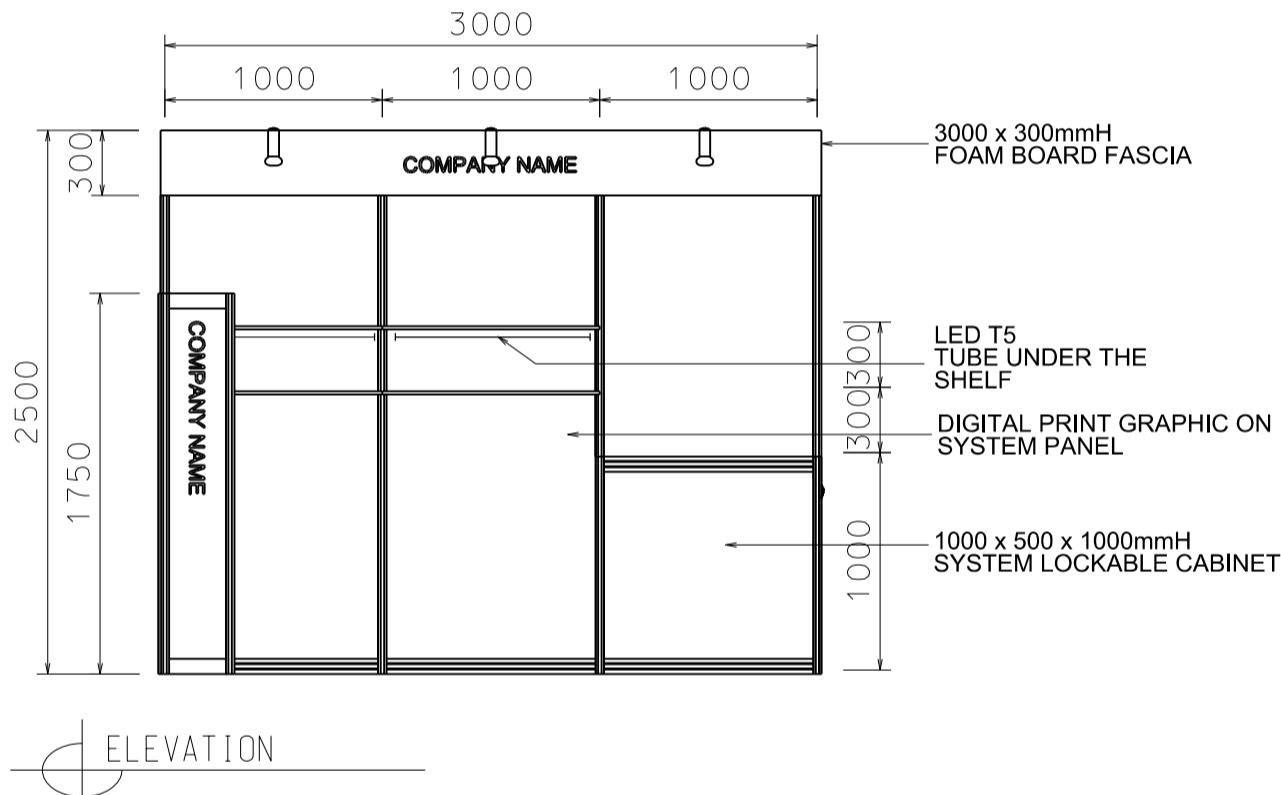
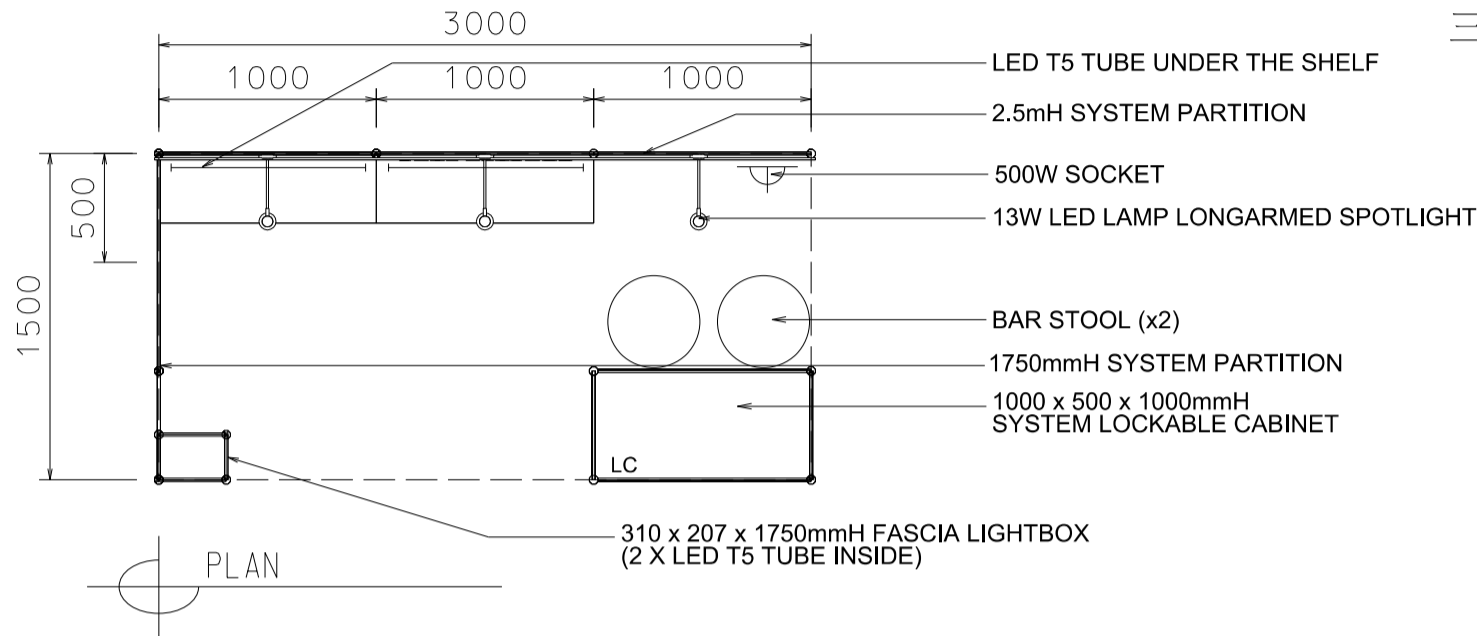


Hong Kong International Wine and Spirits Fair

香港國際美酒展

3M x 1.5M RIGHT CORNER WHISKY BOOTH

三米乘一點五米右邊角位攤位



BOOTH SPECIFICATIONS		QTY.
	1000W x 500D x 1000mmH CABINET	1
	1000W x 300D WOODEN DISPLAY SHELF	4
	13W LED LAMP LONGARMED SPOTLIGHT (YELLOW LIGHT)	3
	LED T5 TUBE	2
	BAR STOOL	2
	500W SOCKET	1
	RUBBISH BIN & CARPET (4.5 sqm.)	

*The Hong Kong Trade Development Council reserves the right to change the configuration if necessary.
 *如有需要，香港貿易發展局有權更改攤位結構。