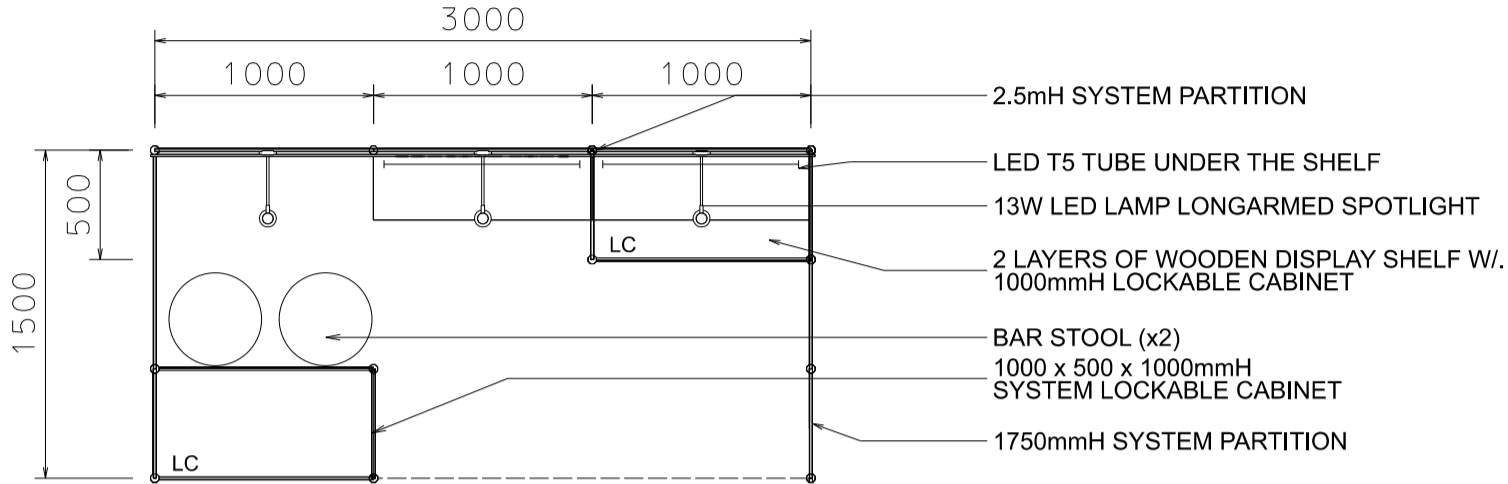


Hong Kong International Wine and Spirits Fair

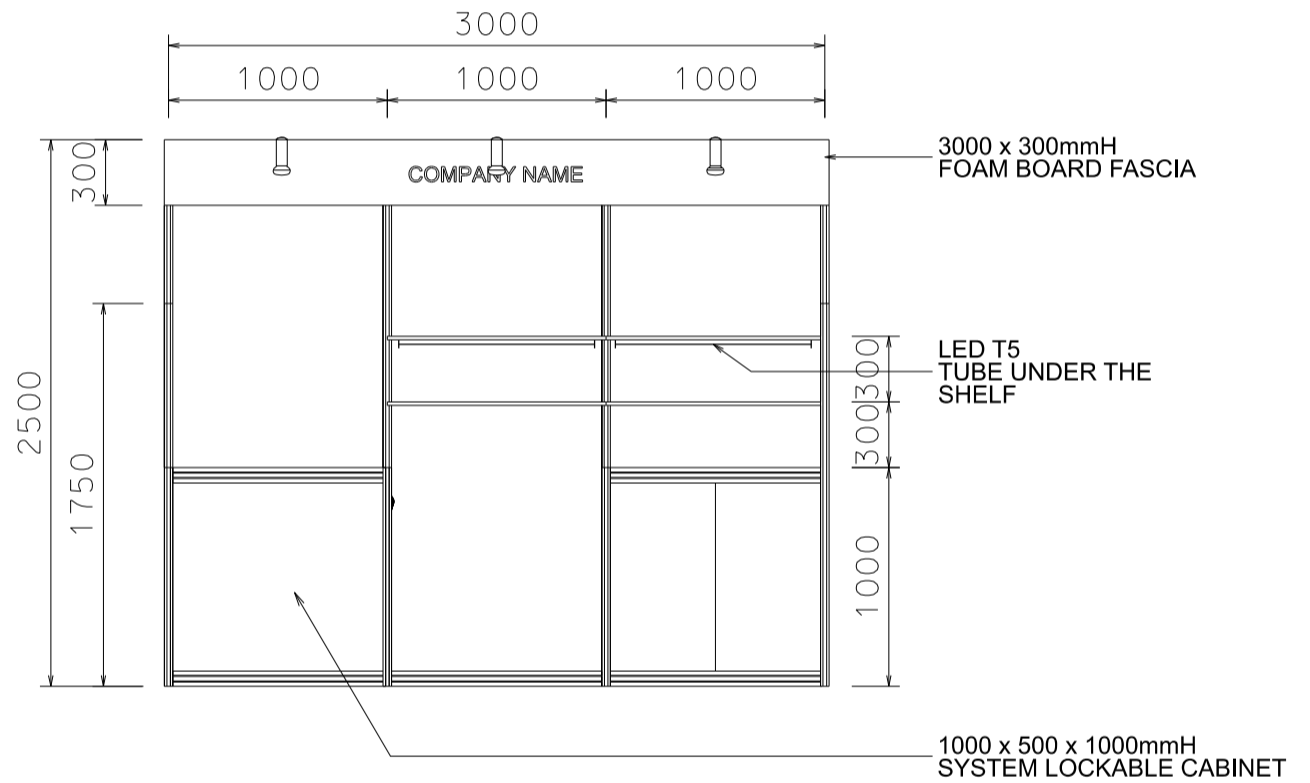
香港國際美酒展

3M x 1.5M BEER BOOTH

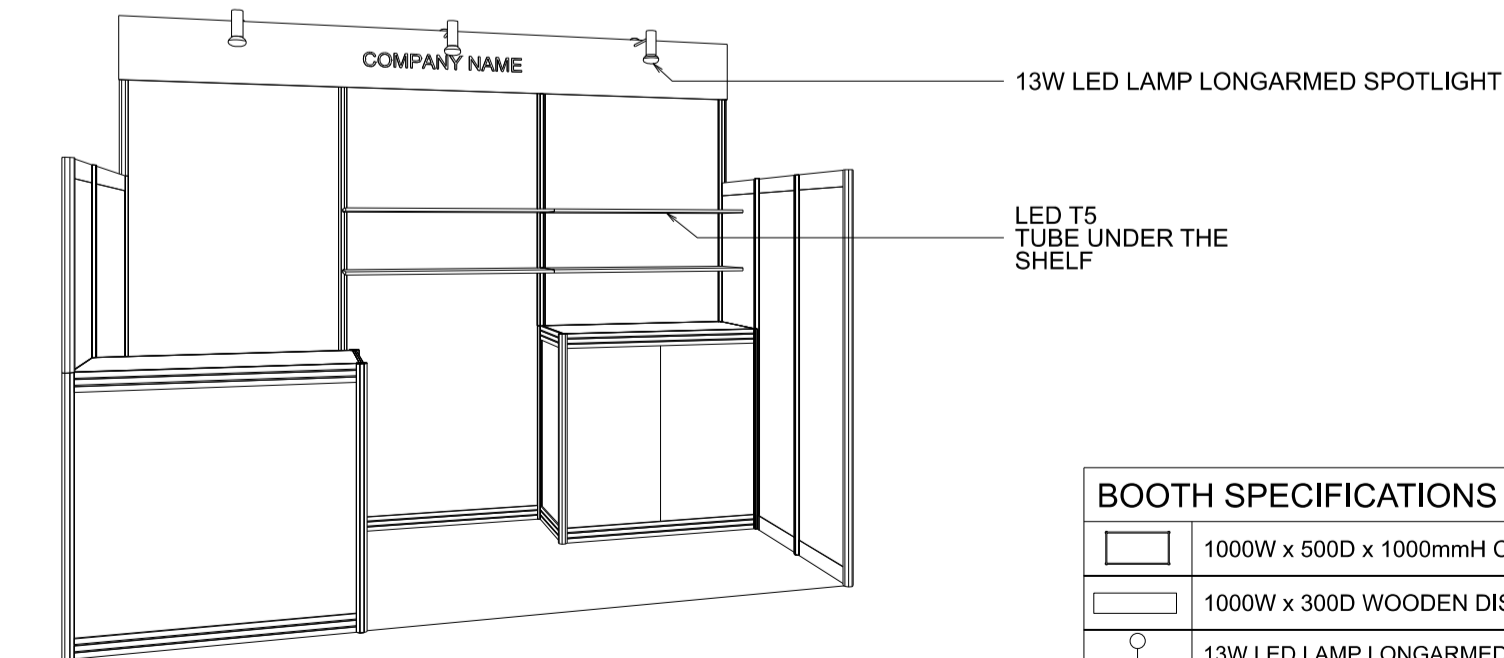
三米乘一點五米標準攤位



PLAN



ELEVATION



PERSPECTIVE

BOOTH SPECIFICATIONS		QTY.
	1000W x 500D x 1000mmH CABINET	2
	1000W x 300D WOODEN DISPLAY SHELF	4
	13W LED LAMP LONGARMED SPOTLIGHT (YELLOW LIGHT)	3
	LED T5 TUBE	2
	BAR STOOL	2
RUBBISH BIN & CARPET (4.5 sqm.)		