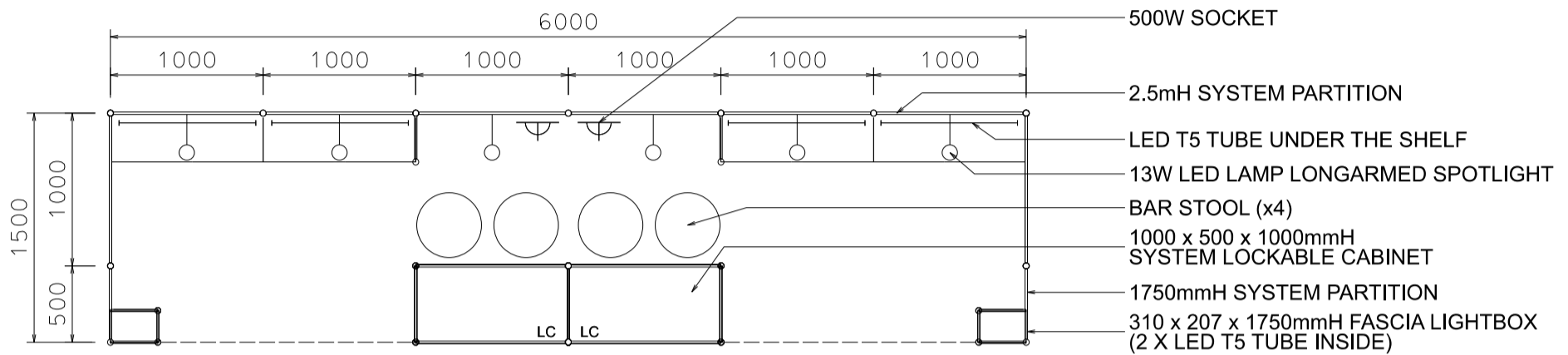


Hong Kong International Wine and Spirits Fair

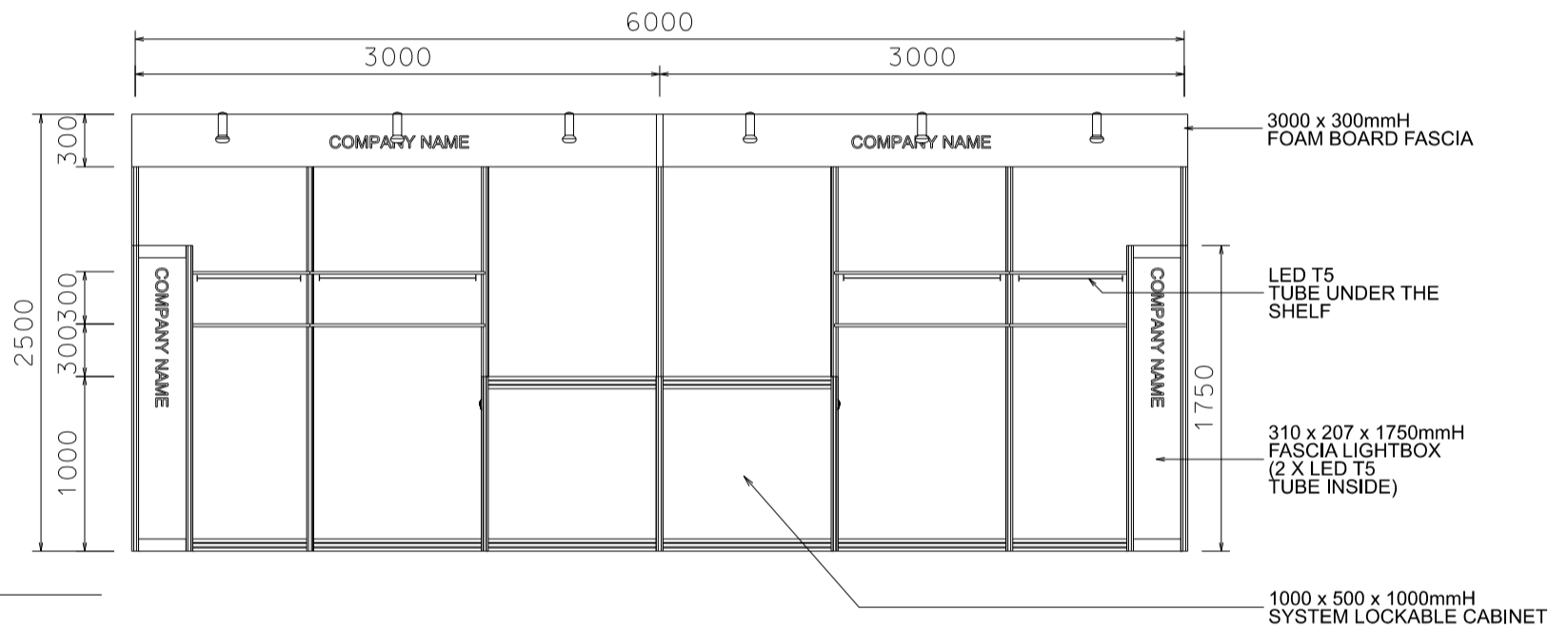
香港國際美酒展

6M x 1.5M WHISKY BOOTH

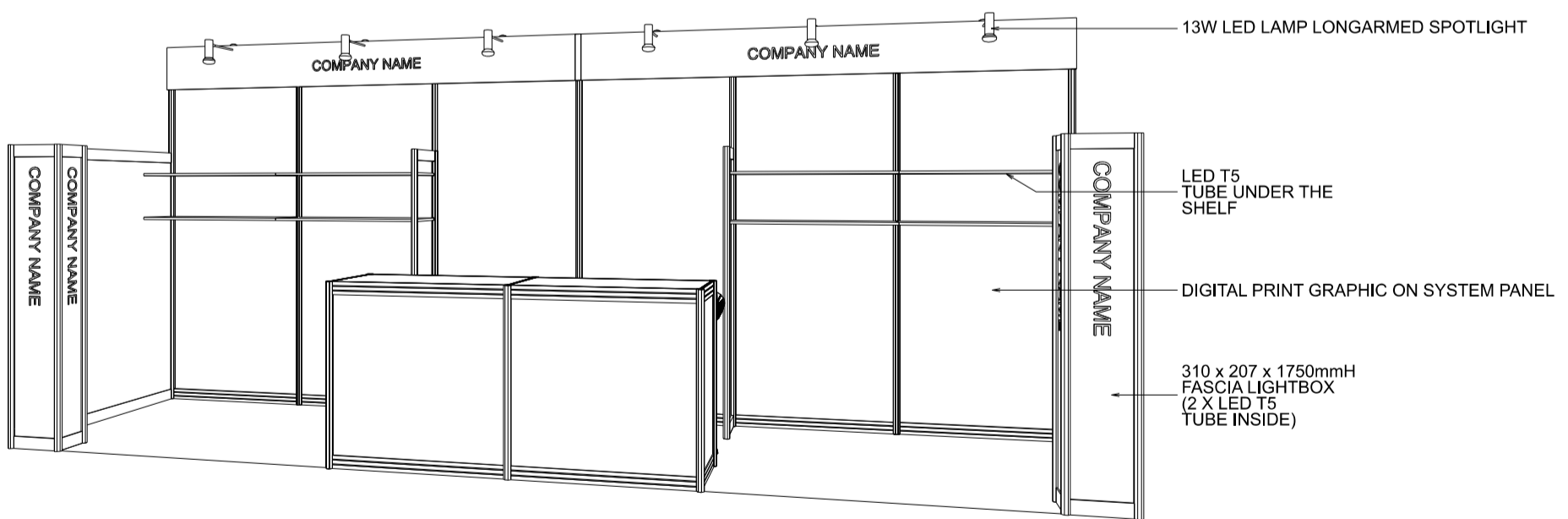
六米乘一點五米標準攤位



PLAN



ELEVATION



PERSPECTIVE

BOOTH SPECIFICATIONS		QTY.
	1000W x 500D x 1000mmH CABINET	2
	1000W x 300D WOODEN DISPLAY SHELF	8
	13W LED LAMP LONGARMED SPOTLIGHT (YELLOW LIGHT)	6
	LED T5 TUBE	4
	BAR STOOL	4
	500W SOCKET	2
RUBBISH BIN & CARPET (9 sqm.)		

*The Hong Kong Trade Development Council reserves the right to change the configuration if necessary.

*如有需要，香港貿易發展局有權更改攤位結構。